

SUPERFORM-LC

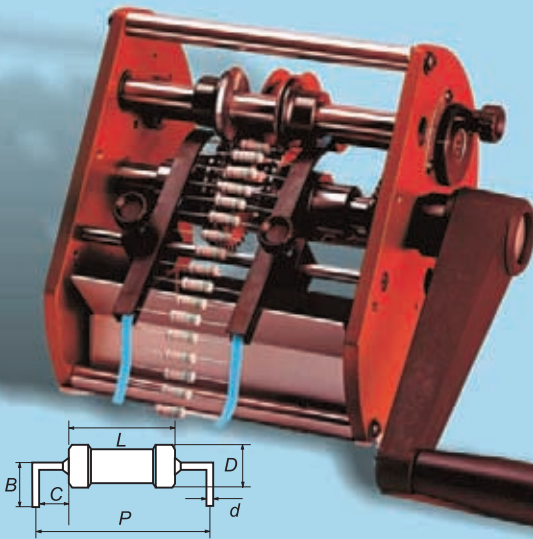
low-cost series

Economic, manual machines, designed for small productions. These machines can not be motorized, the "Tape reel holder" model BR6 (page 11 of the catalog) can be applied

SUPERFORM/A-LC

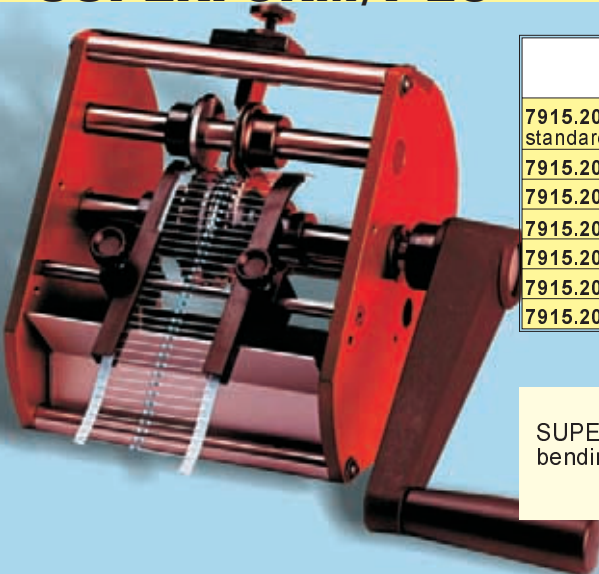
SUPERFORM/A-LC is a machine made for cutting and bending axial taped components, it is extremely compact and sturdy and its main characteristic is to form components with rheophore up to 1.4 mm

Its tracking wheels are adjustable independently to allow rapid setup at different forms.



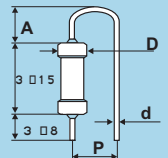
	B		P		C	D	d		L
	min	max	min	max	min	max	min	max	max
7915.200A standard model	4	13	6.5	60	1.2	16	0.4	1.3	50
7915.200D reinforced bending knives	5	13	10.5	60	2.4	16	0.6	1.4	50
7915.200F reduced cutting length reduced bending length	4	13	5	60	0.8	10	0.4	0.8	50
7915.200G like "F" + fixed pitch	4	10	5	-	0.5	4	0.4	0.6	3.5

SUPERFORM/V-LC

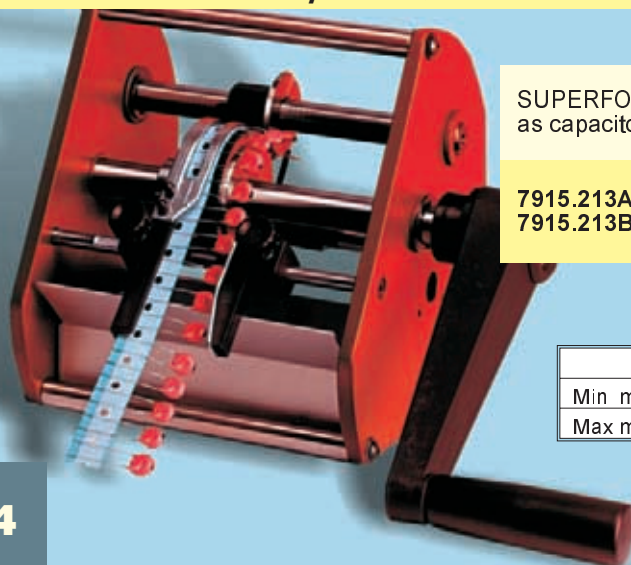


	P	d		A		D
	fix	min	max	min	max	max
7915.201 B standard model	2.54	0.5	0.8	2	6	3
7915.201 C	3.8	0.5	0.8	2.5	6	5
7915.201 D	5.08	0.5	0.8	3	7	8
7915.201 E	7.62	0.5	0.8	4	7	10
7915.209 A	3.8	0.8	1.3	4	9	5
7915.209 B	5.08	0.8	1.3	5	9	8
7915.209 C	7.62	0.8	1.3	6	9	10

SUPERFORM/V-LC is a machine made for cutting and bending axial taped components for vertical mounting.



SUPERFORM/R-LC



SUPERFORM/R-LC is a machine made for cutting radial taped components such as capacitors, transistors and stand-off resistors.

7915.213A (standard)
7915.213B

P=12.7mm
P=15mm

	a	b	d	D
Min mm	2		0.4	-
Max mm		8	1	14

