

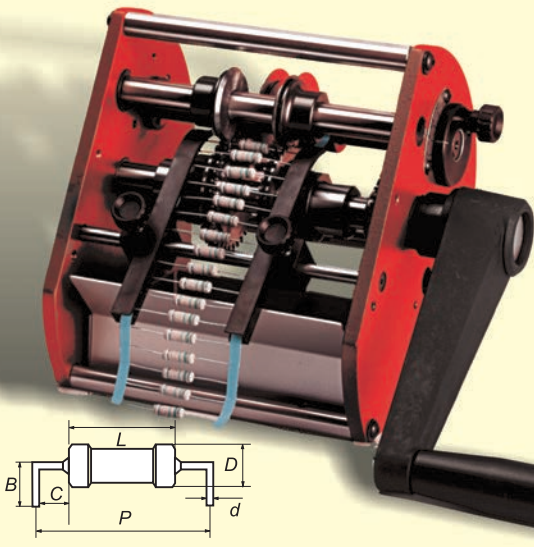
# LOW-COST PREFORMING MACHINES

Economic, manual machines, designed for small productions. These machines can not be motorized, the "Tape reel holder" model BR6 (page 11 of the catalog) can be applied

## SUPERFORM/A-LC

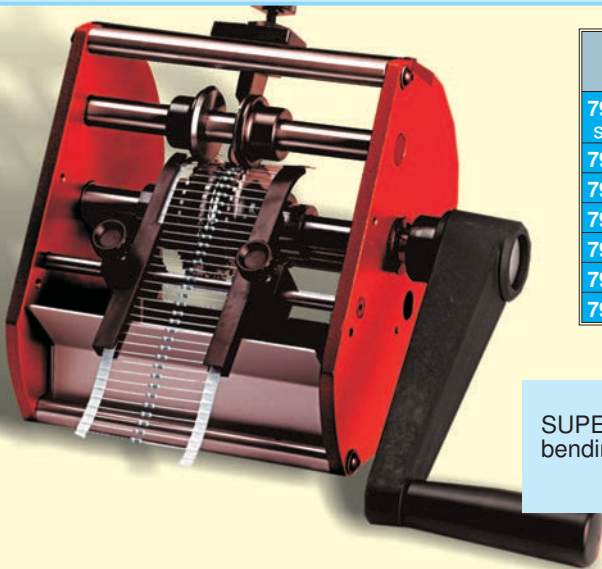
SUPERFORM/A-LC is a machine made for cutting and bending axial taped components, it is extremely compact and sturdy and its main characteristic is to form components with rheophore up to 1.4 mm

Its tracking wheels are adjustable independently to allow rapid setup up at different forms.



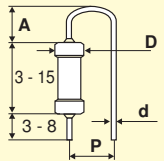
mod.	version	B		P		C	D		d		L
		min	max	min	max	min	max	min	max	max	
7915.200A	standard	4	13	6.5	60	1.2	16	0.4	1.3	50	
7915.200D	reinforced bending knives	5	13	10.5	60	2.4	16	0.6	1.4	50	
7915.200F	reduced cutting length reduced bending length	4	13	5	60	0.8	10	0.4	0.8	50	
7915.200G	like "F" + fixed pitch	4	10	5	-	0.5	4	0.4	0.6	3.5	

## SUPERFORM/V-LC

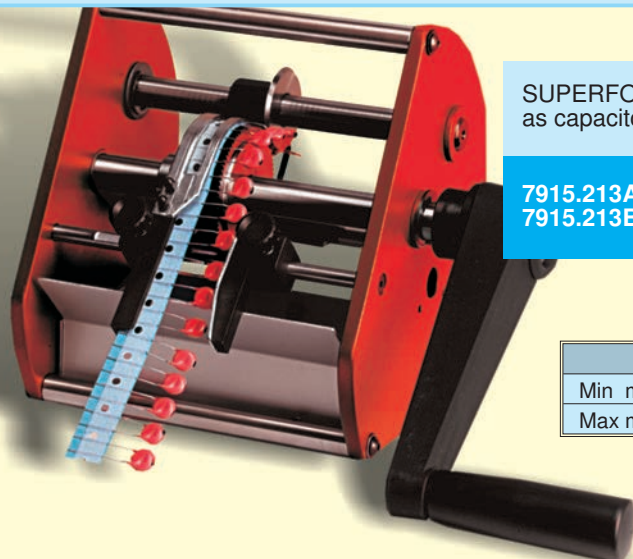


	P	d		A		D
	fix	min	max	min	max	max
7915.201 B standard	2.54	0.5	0.8	2	6	3
7915.201 C	3.8	0.5	0.8	2.5	6	5
7915.201 D	5.08	0.5	0.8	3	7	8
7915.201 E	7.62	0.5	0.8	4	7	10
7915.209 A	3.8	0.8	1.3	4	9	5
7915.209 B	5.08	0.8	1.3	5	9	8
7915.209 C	7.62	0.8	1.3	6	9	10

SUPERFORM/V-LC is a machine made for cutting and bending axial taped components for vertical mounting.



## SUPERFORM/R-LC



SUPERFORM/R-LC is a machine made for cutting radial taped components such as capacitors, transistors and stand-off resistors.

7915.213A (standard)  
7915.213B

P=12.7mm  
P=15mm

	a	b	d	D
Min mm	2		0.4	-
Max mm		8	1	14

